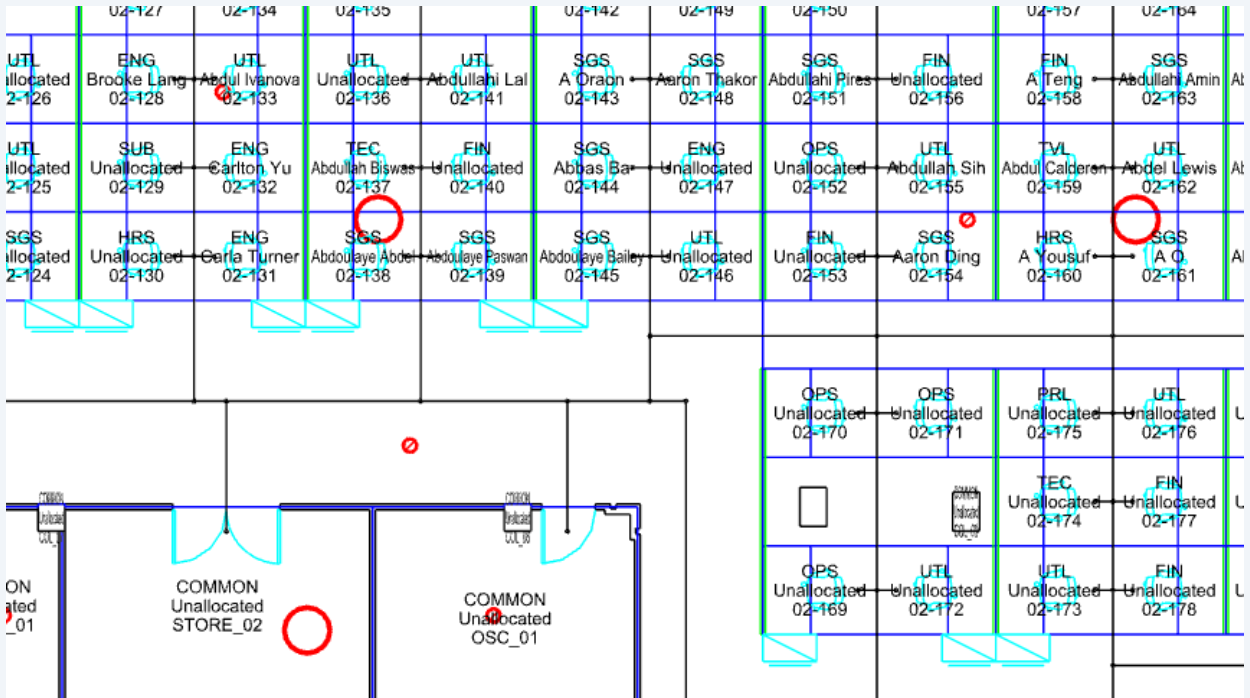
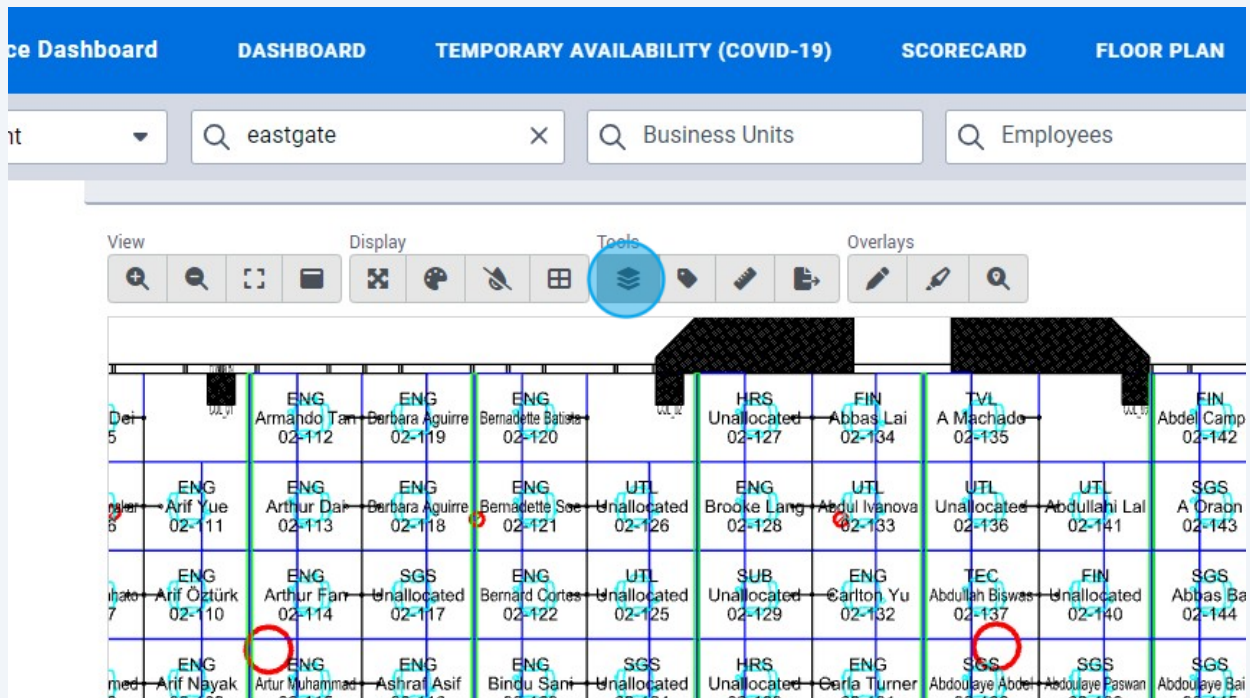


How To Apply CAD Layers To A Floor Plan

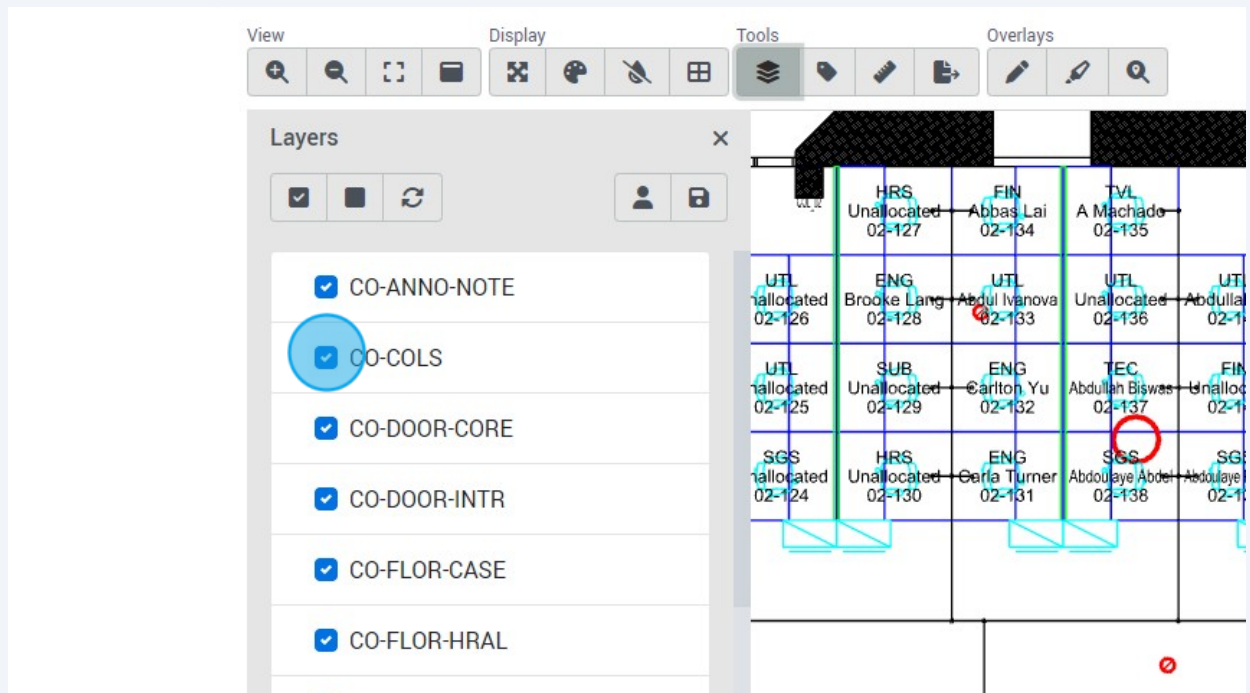
1 Floor plans are configured to display default CAD Layers



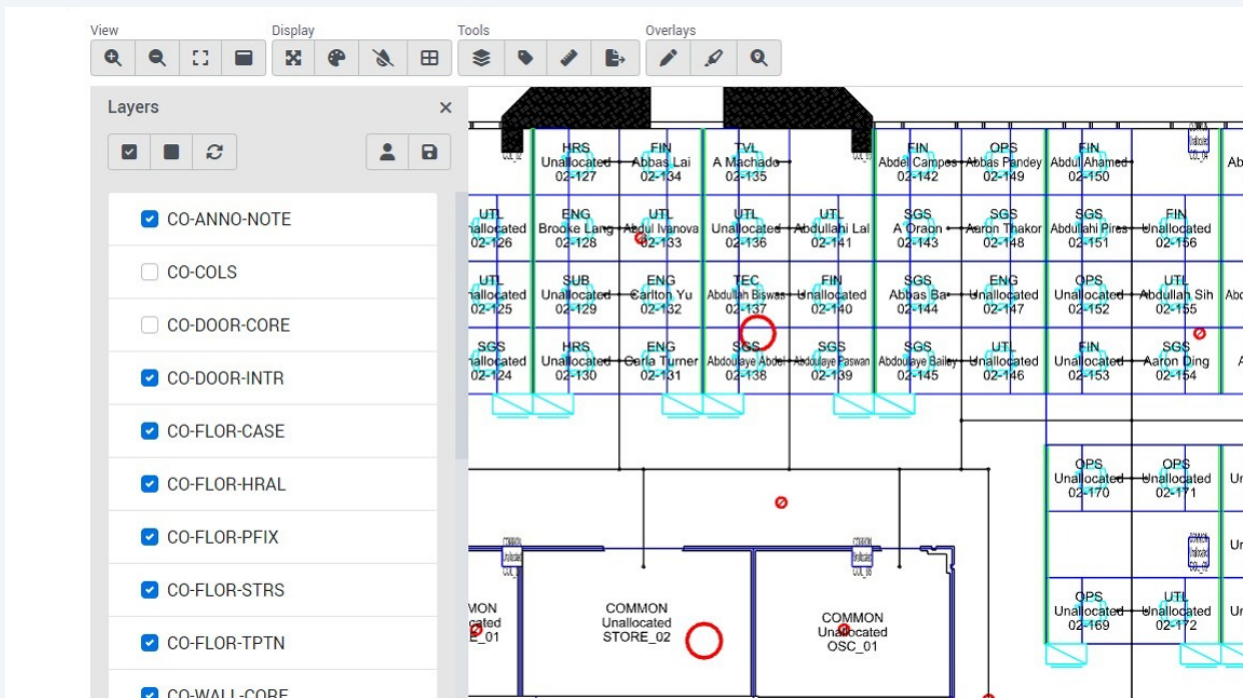
2 To change CAD layers, click "Layers".



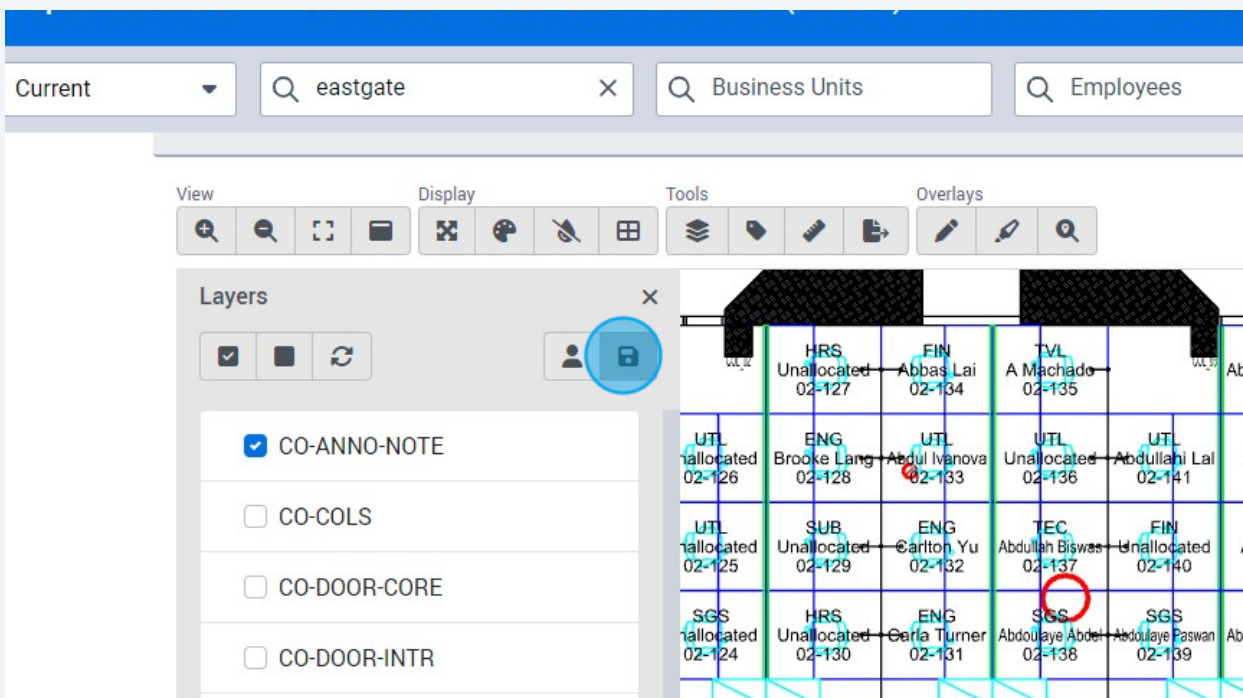
3 Select the layers you wish to remove or apply



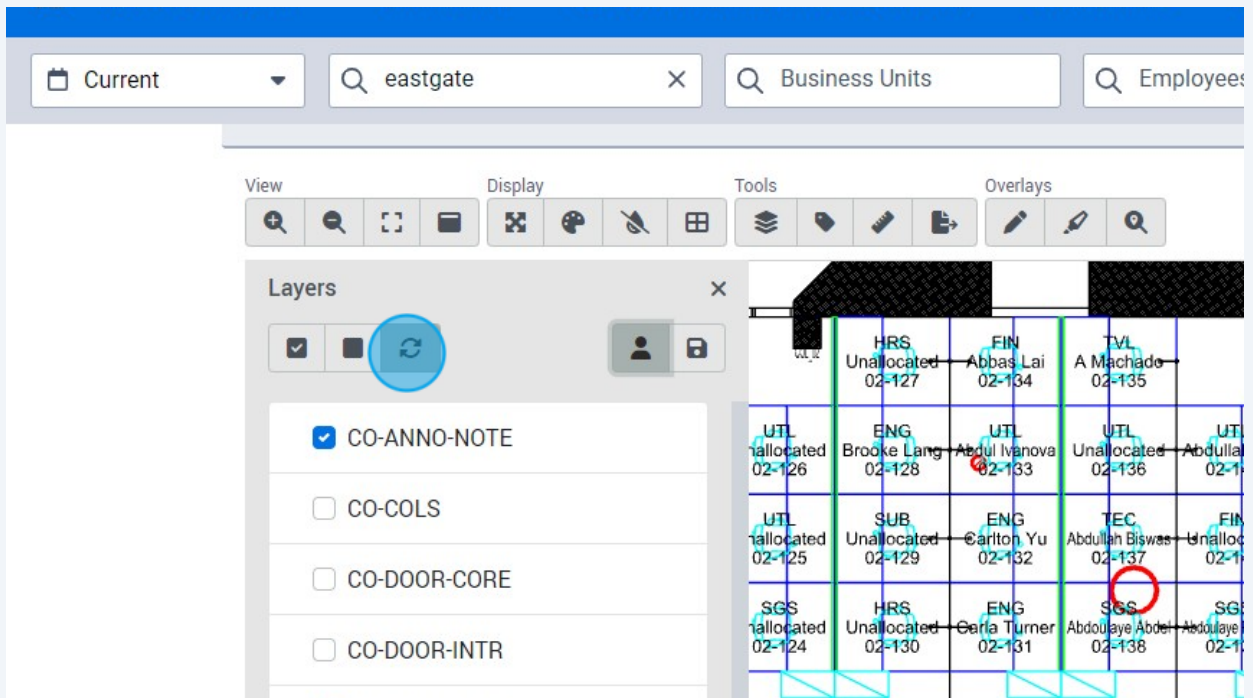
4 The floor plan now displays the selected layers.



5 To save the selected layers as default, click "Save My Layers".



6 To reset your layers to the default, click "Reset Layers".



7 To return to your saved layers, click "Reset My Layers".

